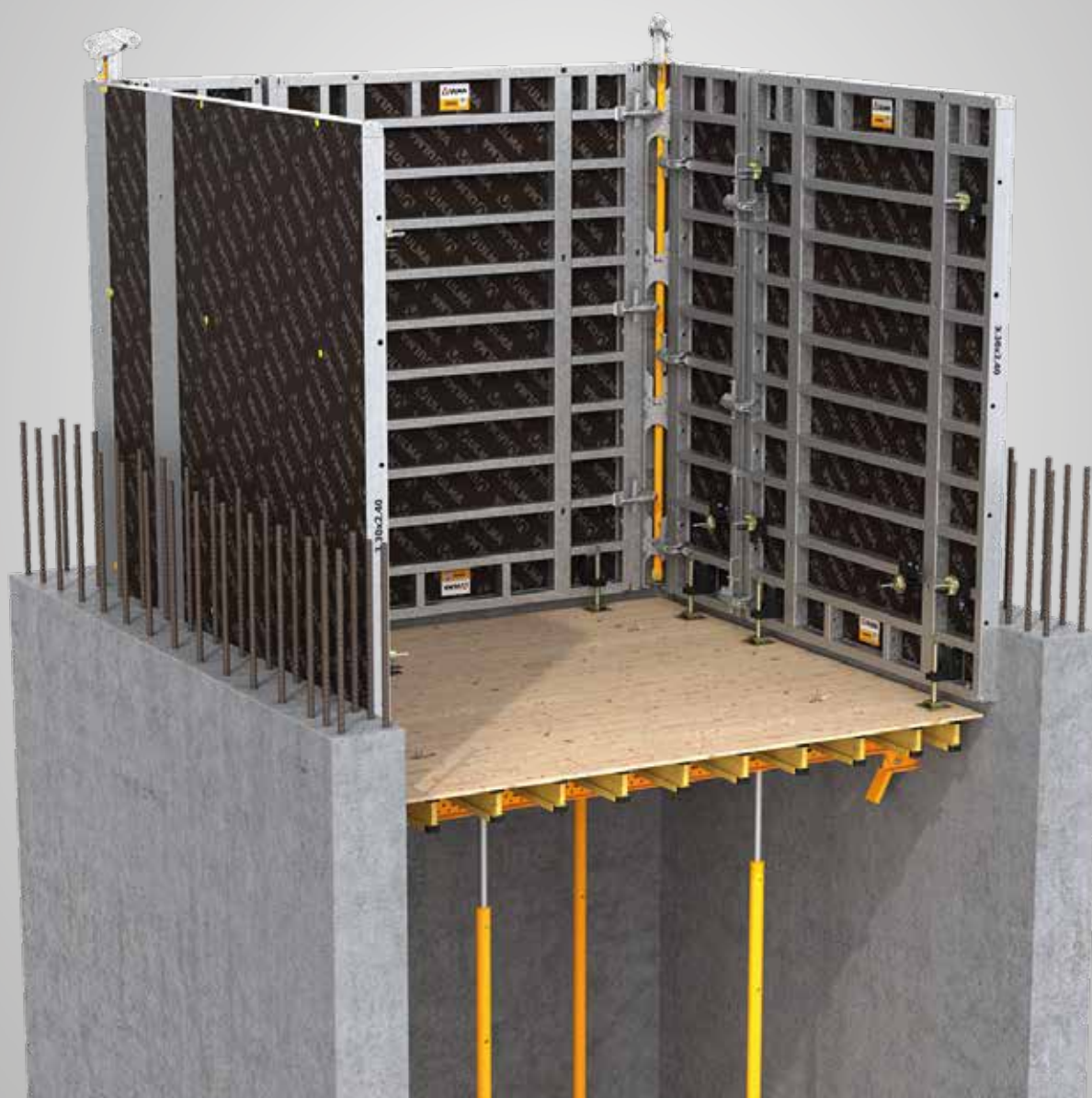




BUILDING CORES & SHAFTS SOLUTIONS

High performance in all types of buildings



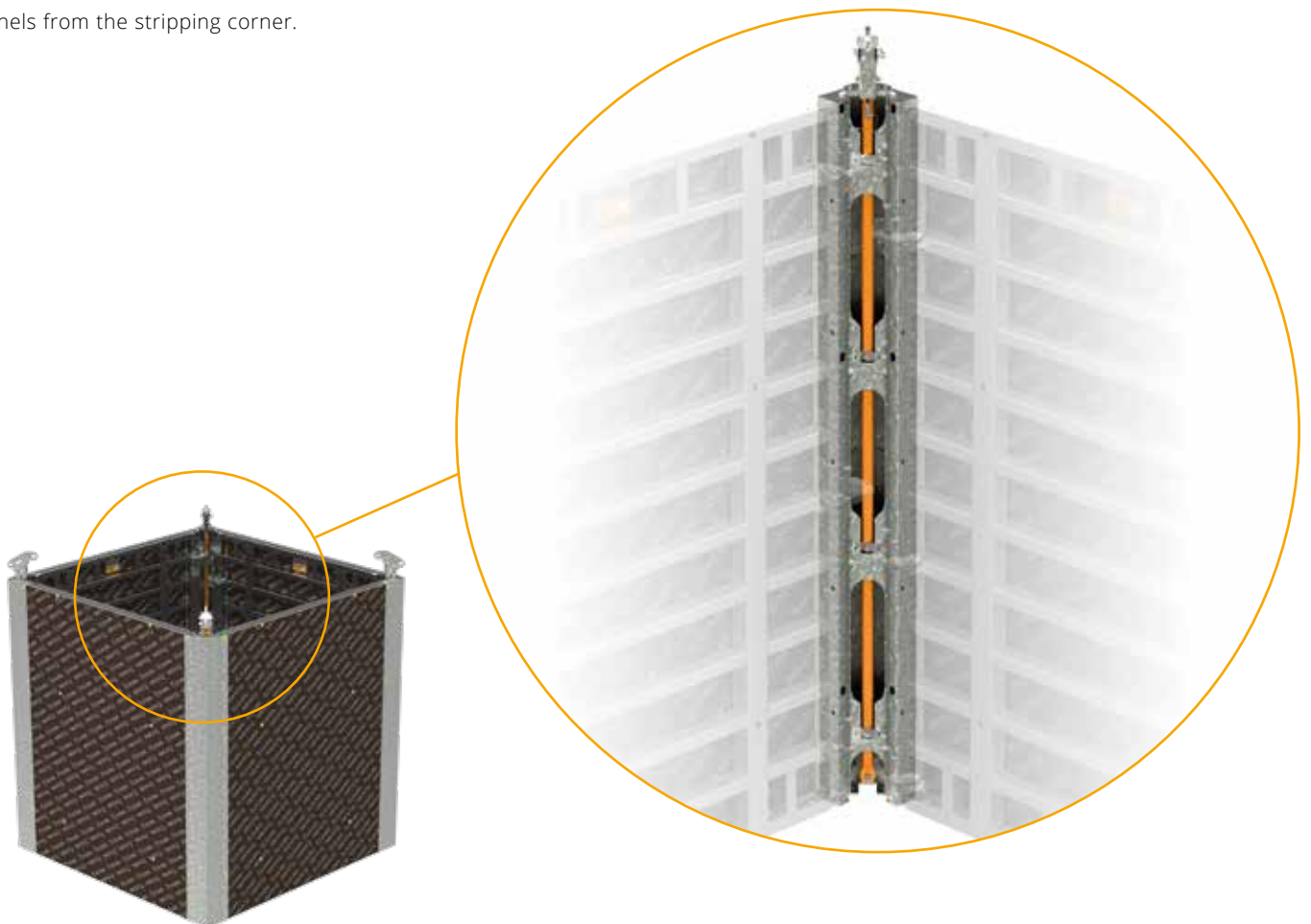


- Cores are an important component of buildings and generally comprise several shafts intended to house elevators and stairs.
- The **STRIPPING CORNER MAX** is the key element and is essential for the simple, fast and efficient stripping of the core formwork.
- The combination of this element with the ULMA climbing solutions offers **high efficiency** for both the construction of **low-rise buildings** and for **high-rise skyscrapers**.



STRIPPING CORNER MAX

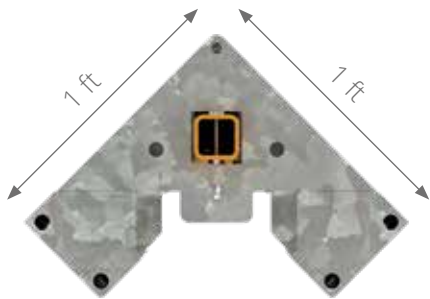
- **One person** can quickly and safely **activate** the entire system **with one single movement**.
- **High efficient:** simple and intuitive operation for setting and stripping.
- **Saves construction time:** no need to dismantle formwork panels from the stripping corner.
- **Easy maintenance** thanks to its robust galvanized steel frame and its simple and open design.
- **Versatile:** the STRIPPING CORNER MAX can be easily combined with other ULMA formwork systems.





Features

- Available in three heights: 10' - 8' - 4'.
- Maximum pressure to withstand: 1670 pfs.
- Galvanized steel form face.
- Robust components.
- Fast working mechanism for Stripping and Formwork setting.



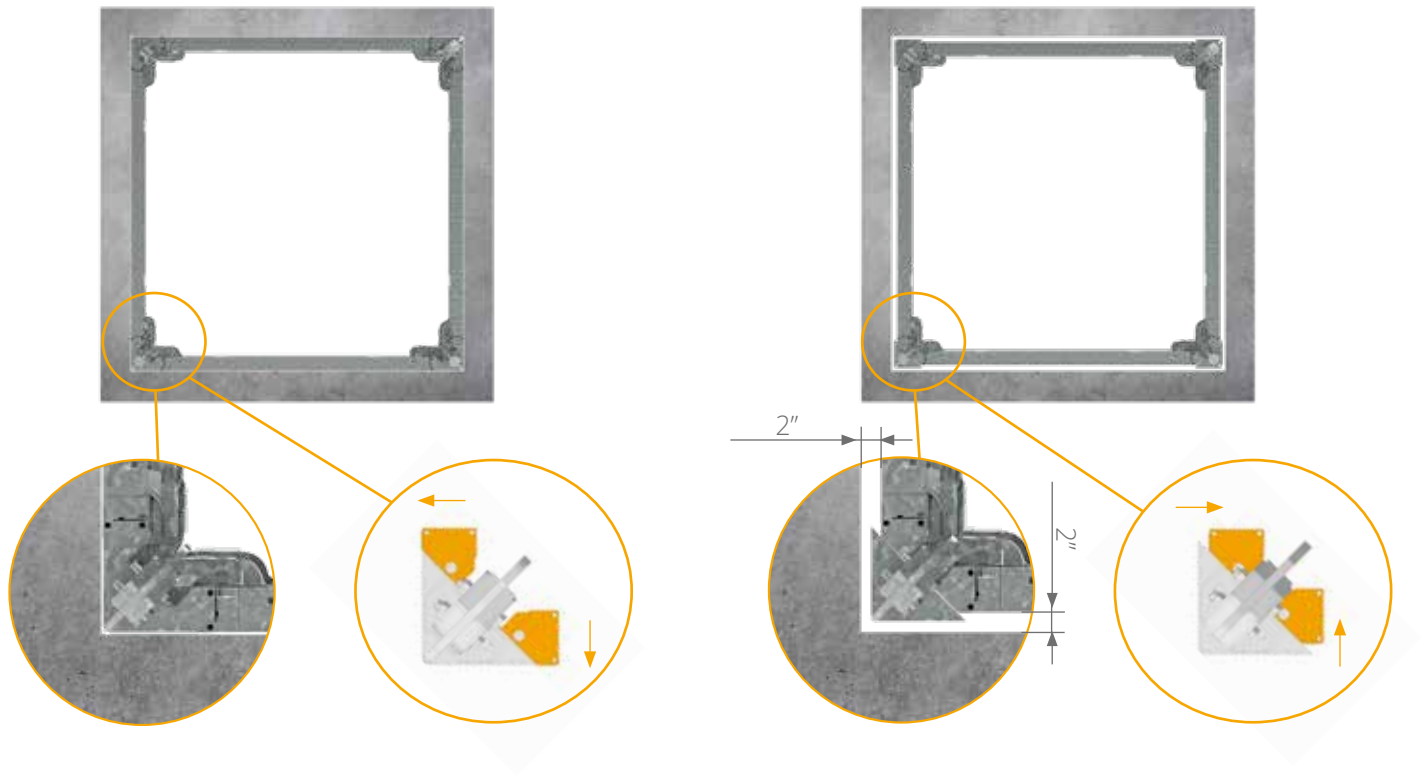
- Quick connection between panels using clamps.
- STRIPPING CORNERS MAX can be easily stack to achieve different height combinations: 12' - 14' - 16' - 18' - 20'.





• Pouring Position

• Stripping Position



Setting and Stripping

• **Manual Operation:**

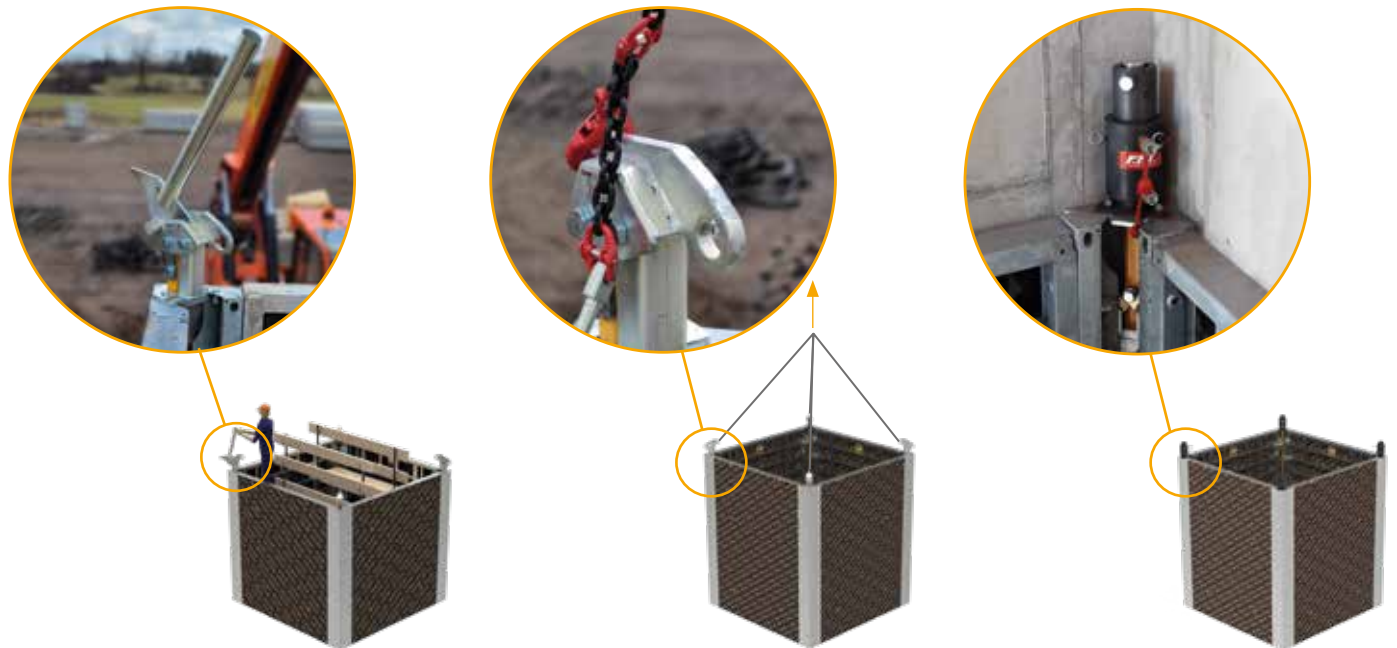
One turn of the stripping lever is enough for the stripping/setting of the system.

• **Crane Assisted Operation:**

A single vertical movement of the crane is enough for stripping, lifting and moving the entire assembly.

• **Hydraulic Operation:**

By simply pressing a button the entire system changes from the formwork position to the stripping position and vice versa.





Versatility

- The STRIPPING CORNER MAX easily connects to the following ULMA vertical formworks using the MEGAFORM clamp:
 - MEGAFORM
 - MK20 FORM
- Likewise, it can be connected to the ULMA vertical formwork using the same MEGAFORM clamp and the MEGALITE-MEGAFORM adapter:
 - MEGALITE



STRIPPING CORNER MAX secure to MEGAFORM panels



Lifting the gang of MEGALITE panels and STRIPPING CORNERS MAX

* For more information, see the STRIPPING CORNER MAX User Guide.



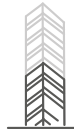
CLIMBING SOLUTIONS

- The different ULMA climbing systems, from simple and lightweight to heavy duty and high capacity systems, can be combined with any type of ULMA formwork and with the STRIPPING CORNER MAX.

KSP + STRIPPING CORNER MAX

• **TYPE OF CONSTRUCTION:**

- **Geometry:** simple and narrow shaft.
- **Height:** up to approx. 200 ft.



• **FEATURES:**

- **Lightweight** structure with **dimensional** flexibility.
- **Stripping** and **setting** with crane activated from the STRIPPING CORNER MAX.
- **Lifting using a crane.**

• **BENEFITS:**

- **Fast stripping, lifting** and **formwork** process.
- **A single movement** makes it possible to lift the entire structure and formwork.
- **Minimum handling** on the formwork.

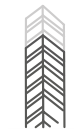


* For more information, see the KSP Platform User Guide.

RKS + STRIPPING CORNER MAX

• **TYPE OF CONSTRUCTION:**

- **Geometry:** simple shaft.
- **Height:** from 100 to 300 ft.



• **FEATURES:**

- **Lightweight** structure with **dimensional** flexibility.
- **Stripping** and **setting** activated from the STRIPPING CORNER MAX, using a crane or hydraulically.
- Possibility of **lifting using a crane** or **climbing** with an own **hydraulic system** (11 Kips).

• **BENEFITS:**

- **Light, guided** and **self-climbing** system.
- Formwork attached to the climbing structure.
- **Minimum handling** on the formwork thanks to a fast stripping and formwork.



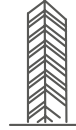
* For more information, see the RKS User Guide.



ATR + STRIPPING CORNER MAX

• **TYPE OF CONSTRUCTION:**

- **Geometry:** large cores.
- **Height:** from 300 ft.



• **FEATURES:**

- **Average capacity** structure and dimensional and geometric **flexibility**.
- **Stripping** and **setting** activated from the STRIPPING CORNER MAX, using a crane or hydraulically.
- **Climbing** using own **hydraulic system** (29 Kips).

• **BENEFITS:**

- **Guided** and **self-climbing** system.
- Formwork attached to the climbing structure.
- **Minimum handling** on the formwork thanks to a fast stripping and formwork.

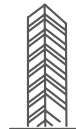


* For more information, see the ATR User Guide.

ATR-SC + STRIPPING CORNER MAX

• **TYPE OF CONSTRUCTION:**

- **Geometry:** large cores.
- **Height:** from 300 ft.



• **FEATURES:**

- **High capacity** and **flexibility** structure.
- **Stripping** and **setting** activated hydraulically from the STRIPPING CORNER MAX.
- **Climbing** using own hydraulic system (90 Kips).

• **BENEFITS:**

- **High load and self-climbing** system.
- Formwork attached to the climbing structure.
- **Fast and independent operation of the formwork**, without the need for any handling.
- **Continuous lifting of the system** by a single stroke cylinder.



* For more information, see the ATR-SC User Guide.



It's **all** about **trust**

www.ulmaconstruction.us

ULMA Form-Works, Inc.
16-00 Route 208 South, Suite LL1
Fair Lawn, New Jersey 07410
Phone: (201) 882-1122
info@ulmaconstruction.us



IMPORTANT:

Any safety provisions as directed by the appropriate governing agencies must be observed when using our products. The pictures in this document are snapshots of situations at different stages of assembly, and therefore are not complete images. For the purpose of safety, they should not be deemed as definitive. All of the indications regarding safety and operations contained in this document, and the data on stress and loads should be respected. ULMA's Technical Department must be consulted anytime that field changes alter our equipment installation drawings. The loads featured in this document, related to the basic elements of the product, are approximate. Our equipment is designed to work with accessories and elements made by our company only. Combining such equipment with other systems is not only dangerous but also voids any or all our warranties. The company reserves the right to introduce any modifications deemed necessary for the technical development of the product.
All rights reserved. Neither all nor part of this document may be reproduced or transmitted in any way by any electronic or mechanical procedure, including photocopy, magnetic recording or any other form of information storage or retrieval system without the written permission.
© Copyright by ULMA C y E, S. Coop

00H406ENM